

Capsule Vacuum Gauges



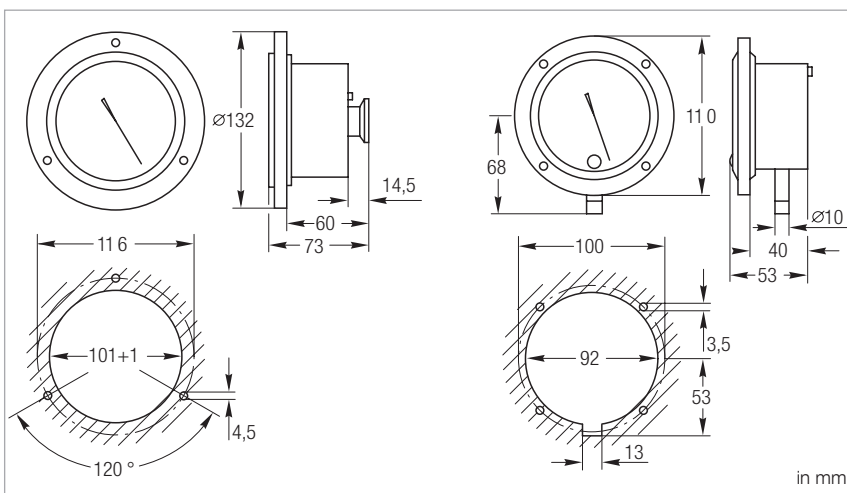
Rugged absolute pressure gauges for the pressure range from 1 to 1000 mbar (0.75 to 750 Torr).

Advantages to the User

- Rugged and insensitive to vibrations
- Models available for two measurement ranges (1 to 100 mbar (0.75 to 75 Torr) and 1 to 1000 mbar (0.75 to 750 Torr))
- Readout independent of the type of gas and changes in atmospheric pressure
- Linear pressure readout
- Installation direct via the connection flange or panel mounting
- Model with integrated isolation valve for use on packaging machines (Part No. 160 68)

Typical Applications

- Measurement of absolute pressures (for inert gases only)
- Vacuum conveying systems
- Operation monitoring
- Packaging



Dimensional drawings for the capsule vacuum gauges
Part Nos. 160 63/64 (left) and Part No. 160 68 (right)

Technical Data

Capsule Vacuum Gauge

| | | | | |
|--------------------------------------|-----------------|--|--|--|
| Measurement range | mbar (Torr) | 1 to 100 (0.75 to 75) | 1 to 100 (0.75 to 75) | 1 to 1000 (0.75 to 750) |
| Measurement uncertainty | % FS | 1.0 | 2.5 | 1.6 |
| Overload range (abs. briefly) | bar | 1.5 | 1.5 | 1.5 |
| Storage temperature range | °C | -25 to +60 | -25 to +60 | -25 to +60 |
| Nominal temperature range | °C | +10 to +50 | +10 to +50 | +10 to +50 |
| Length of scale | mm | 205 | 180 | 205 |
| Dead volume, approx. | cm ³ | 235 | 167 | 235 |
| Diameter | mm | 132 | 110 | 132 |
| Weight | kg (lbs) | 0.7 (1.54) | 0.6 (1.32) | 0.7 (1.54) |
| Vacuum connection | DN | 16 ISO-KF | 10 mm dia. hose nozzle with integrated isolation valve | 16 ISO-KF |
| Max. inclination when installed | | 45° | 45° | 45° |
| Materials in contact with the medium | | Brass Standard steel nickel plated Glass NBR Aluminum Copper beryllium Soft and hard solder Resin | Brass Standard steel nickel plated Glass NBR Aluminum Copper beryllium Soft and hard solder Resin | Brass Standard steel nickel plated Glass NBR Aluminum Copper beryllium Soft and hard solder Resin |

Ordering Information

Capsule Vacuum Gauge

| | Part No. | Part No. | Part No. |
|----------------------|---------------|---------------|---------------|
| Capsule vacuum gauge | 160 63 | 160 68 | 160 64 |